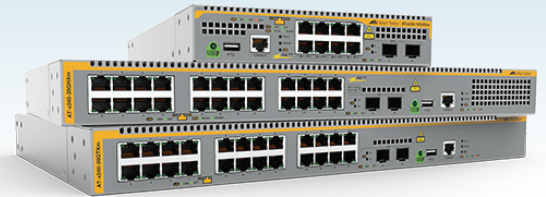


# x240 Series

## Multi-Gigabit Edge Switches

Allied Telesis x240 Series Layer 3 multi-gigabit switches offer an impressive set of features in a compact design, making them ideal for high-speed connectivity at the edge of the network.



### Overview

Allied Telesis x240 Series switches provide a superior access solution for modern networks, supporting 10M/100M/1/2.5/5G connectivity for both legacy and high-speed end devices with maximum throughput. They enable an easy performance upgrade using existing Cat5e building cables.

Power over Ethernet (PoE++) models connect and power next-generation wireless access points, IP video surveillance cameras and IP telephony with up to 90W power delivery. With 8, 16 or 24 multi-gigabit ports and 10 gigabit SFP+ uplinks, the x240 series enables flexible deployment and secure access at the network edge.

### High-speed wireless

The x240 Series provide support for both 2.5 and 5 Gigabit connectivity, allowing high-speed wireless to run at full capacity while avoiding the need to upgrade existing Cat5e/Cat6 cables.

### Secure

Network security is guaranteed, with powerful control over network traffic types, secure management options, and other multi-layered security features built right in.

Network Access Control (NAC) gives unprecedented control over user access to the network, in order to mitigate threats to network infrastructure.

Allied Telesis x240 switches use 802.1x port-based authentication, in partnership with standards-compliant dynamic VLAN assignment, to assess a user's adherence to network security policies and either grant access or offer remediation. Tri-authentication ensures the network is only accessed by known users and devices. Secure access is also available for guests.

Security from malicious network attacks is provided by a

comprehensive range of features such as DHCP snooping, STP root guard, BPDU protection and access control lists. Each of these can be configured to perform a variety of actions upon detection of a suspected attack.

### Network protection

Advanced storm protection features include bandwidth limiting, policy-based storm protection and packet storm protection.

Network storms are often caused by cabling errors that result in a network loop. Allied Telesis x240 Series switches provide features to detect loops as soon as they are created. Loop detection and thrash limiting take immediate action to prevent network storms.

### Manageable

The x240 runs the advanced AlliedWare Plus™ fully featured operating system, delivering a rich feature set and an industry-standard Command Line Interface (CLI). This reduces training requirements and is consistent across all AlliedWare Plus devices, simplifying network management.

The web-based Graphical User Interface (GUI) is an easy-to-use and powerful management tool, with comprehensive monitoring facilities.

### Powerful network management

Meeting the increased management requirements of modern converged networks, Allied Telesis Autonomous Management Framework™ Plus (AMF Plus) automates many everyday tasks including configuration management. The complete network can be managed as a single virtual device with powerful centralized management features. Growing the network can be accomplished with plug-and-play simplicity, and network node recovery is fully zero-touch.

<sup>1</sup> Supported in a future release

AMF Plus secure mode increases network security with management traffic encryption, authorization, and monitoring.

### Future-proof

x240 Series switches are Software Defined Networking (SDN) ready and able to support OpenFlow v1.3.

### Easy network upgrade

Increasing network performance from existing 1 gigabit Allied Telesis edge switches to x240 multi-gigabit switches is easy. AMF Plus auto-recovery enables a plug-and-play upgrade, as the x240 switches are auto-configured to match the previous devices.

## Key Features

- ▶ Autonomous Management Framework™ Plus (AMF Plus)
- ▶ AMF-Security compatible
- ▶ 10M/100M/1/2.5/5G multi-gigabit ports
- ▶ 10 Gigabit uplinks
- ▶ Up to 90W PoE++ power per port
- ▶ EPSR™ and G.8032 ERPS for resilient ring-based topologies
- ▶ Active Fiber Monitoring (AFM)
- ▶ Precision Time Protocol (PTP) Transparent mode<sup>1</sup>
- ▶ Link Monitoring
- ▶ Flexible ACLs
- ▶ Loop and storm protection
- ▶ Upstream Forwarding Only (UFO)
- ▶ OpenFlow for SDN
- ▶ NETCONF/RESTCONF with YANG data modelling

## Key Features

### Allied Telesis Autonomous Management Framework™ Plus (AMF Plus)

- ▶ AMF Plus is a sophisticated suite of management tools that provide a simplified approach to network management. Common tasks are automated or made so simple that the every-day running of a network can be achieved without the need for highly-trained, and expensive, network engineers. Powerful features like centralized management, auto-backup, auto-upgrade, auto-provisioning and auto-recovery enable plug-and-play networking and zero-touch management.
- ▶ An AMF Plus license operating in the network provides all standard AMF network management and automation features, and also enables the AMF Plus intentbased networking features menu in Vista Manager EX (from version 3.10.1 onwards)

### Multi-gigabit performance

- ▶ The x240 Series connects at five speeds (10M/100M/1/2.5/5G), supporting anything from legacy devices to the latest high-speed wireless APs with maximum performance. When partnered with 10 gigabit uplink ports, any bottlenecks at the edge of the network are removed.

### Power over Ethernet Plus (PoE++)

- ▶ With PoE, a separate power connection to media endpoints such as IP phones and wireless access points is not necessary. PoE reduces costs.
- ▶ The x240 PoE models support up to 90W per port (PoE++) to connect high power devices such as high resolution PTZ cameras, enhanced infrared lighting and lighting controllers, remote Point of Sale (POS) kiosks, and more.

### Ethernet Protection Switched Ring (EPSRing™)

- ▶ EPSRing allows several x240 switches to join a protected ring capable of recovery within as little as 50ms. This feature is perfect for high availability in enterprise networks.

### G.8032 Ethernet Ring Protection

- ▶ G.8032 provides standards-based high-speed ring protection, that can be deployed stand-alone, or interoperate with Allied Telesis EPSR.
- ▶ Ethernet Connectivity Fault Monitoring (CFM) proactively monitors links and VLANs, and provides alerts when a fault is detected.

### Access Control Lists (ACLs)

- ▶ ACLs filter network traffic to control whether routed packets are forwarded or blocked, and can be applied to a specific port or a VLAN. This provides a powerful network security mechanism to select the types of traffic to be analyzed, forwarded, or influenced in some way.

### NETCONF/RESTCONF

- ▶ NETCONF/RESTCONF with YANG data modeling provides a standardized way to represent data and securely configure devices.

### Easy To Manage

- ▶ The AlliedWare Plus operating system incorporates an industry standard CLI, facilitating intuitive manageability.

- ▶ With three distinct modes, the CLI is very secure, and the use of SSHv2 encrypted and strongly authenticated remote login sessions ensures CLI access is not compromised.

### Storm protection

Advanced packet storm control features protect the network from broadcast storms:

- ▶ Bandwidth limiting minimizes the effects of the storm by reducing the amount of flooding traffic.
- ▶ Policy-based storm protection is more powerful than bandwidth limiting. It restricts storm damage to within the storming VLAN, and it provides the flexibility to define the traffic rate that creates a broadcast storm. The action the device should take when it detects a storm can be configured, such as disabling the port from the VLAN or shutting the port down.

### Loop protection

- ▶ Thrash limiting, also known as Rapid MAC movement, detects and resolves network loops. It is highly user-configurable — from the rate of looping traffic to the type of action the switch should take when it detects a loop.
- ▶ With thrash limiting, the switch only detects a loop when a storm has occurred, which can potentially cause disruption to the network. To avoid this, loop detection works in conjunction with thrash limiting to send special packets, called Loop Detection Frames (LDF), that the switch listens for. If a port receives an LDF packet, one can choose to disable the port, disable the link, or send an SNMP trap.

### Spanning Tree Protocol (STP) Root Guard

- ▶ STP root guard designates which devices can assume the root bridge role in an STP network. This stops an undesirable device from taking over this role, where it could either compromise network performance or cause a security weakness.

### Bridge Protocol Data Unit (BPDU) protection

- ▶ BPDU protection adds extra security to STP. It protects the spanning tree configuration by preventing malicious DoS attacks caused by spoofed BPDUs. If a BPDU packet is received on a protected port, the BPDU protection feature disables the port and alerts the network manager.

### sFlow

- ▶ sFlow monitors switched networks, and provides visibility to enable performance optimization, usage accounting/billing, and defense against security threats. Sampled packets sent to a collector provide a real-time view of network traffic.

### Tri-authentication

- ▶ Authentication options on the x240 Series include alternatives to 802.1x port-based authentication, such as web authentication, to enable guest access and MAC authentication for end points that do not have an 802.1x supplicant. All three authentication methods—802.1x, MAC-based and Web-based—can be enabled simultaneously on the same port, resulting in tri-authentication.

### TACACS+ Command Authorization

- ▶ TACACS+ Command Authorization offers centralized control over which commands may be issued by each specific AlliedWare Plus device user. It complements authentication and accounting services for an AAA solution.

### UniDirectional Link Detection

- ▶ UDLD is useful for monitoring fiber-optic links between switches, and prevents traffic from being sent across a bad link by blocking the ports at both ends of the link in the event that either the individual transmitter or receiver for that connection fails.

### Optical DDM

- ▶ Most SFP/SFP+/QSFP transceivers support Digital Diagnostics Monitoring (DDM) of parameters such as optical output power, temperature, laser bias, etc. This simplifies diagnosing fiber connection problems.

### Active Fiber Monitoring

- ▶ AFM prevents eavesdropping on fiber data or stacking links by monitoring received optical power. If an intrusion is detected, the link can be automatically shut down, or an alert sent.

### VLAN Mirroring (RSPAN)

- ▶ VLAN mirroring allows traffic from a port on a remote switch to be analyzed locally. Traffic being transmitted or received on the port is duplicated and sent across the network on a special VLAN.

### Find Me

- ▶ The “Find Me” feature is a visual way to identify the desired physical switch in a busy server room for maintenance or other purposes, by causing its LEDs to flash in a specified pattern.

### Precision Time Protocol (PTP)<sup>1</sup>

- ▶ PTP (IEEE 1588v2) synchronizes clocks throughout the network with micro-second accuracy, supporting industrial automation and control systems.

### Link Monitoring (Linkmon)

- ▶ Linkmon enables network health monitoring by regularly sending probes over key links to gather metrics comprising latency, jitter, and probe loss. This supports pro-active network management, and can also be used with triggers to automate a change to device or network configuration in response to the declining health of a monitored link.

### Upstream Forwarding Only (UFO)

- ▶ UFO lets you manage which ports in a VLAN can communicate with each other, and which only have upstream access to services, for secure multi-user deployment.

### VLAN Translation

- ▶ VLAN Translation allows traffic arriving on a VLAN to be mapped to a different VLAN on the outgoing interface.
- ▶ Service Providers can provide customers with a unique VLAN ID, which can be changed for data transfer through the SP's network.
- ▶ In the Enterprise, it can be used to merge two networks together, without manually reconfiguring the VLAN numbering scheme.

<sup>1</sup> Supported in a future release

## Key Solutions

### High performance at the network edge

The convergence of network services in the Enterprise has led to increasing demand for highly available networks with minimal downtime. The diagram shows x240 switches with high performance EPSR ring connectivity to the x530 VCStack core. This topology provides ring recovery in as little as 50ms if required, ensuring essential services and online business applications are always available.

Multi-gigabit connectivity provides a high-value solution with up to 5 x the performance of traditional 1 gigabit networks. Multi-gigabit PC connections and switch uplinks can maximize the use of existing Cat5e building backbone cables.

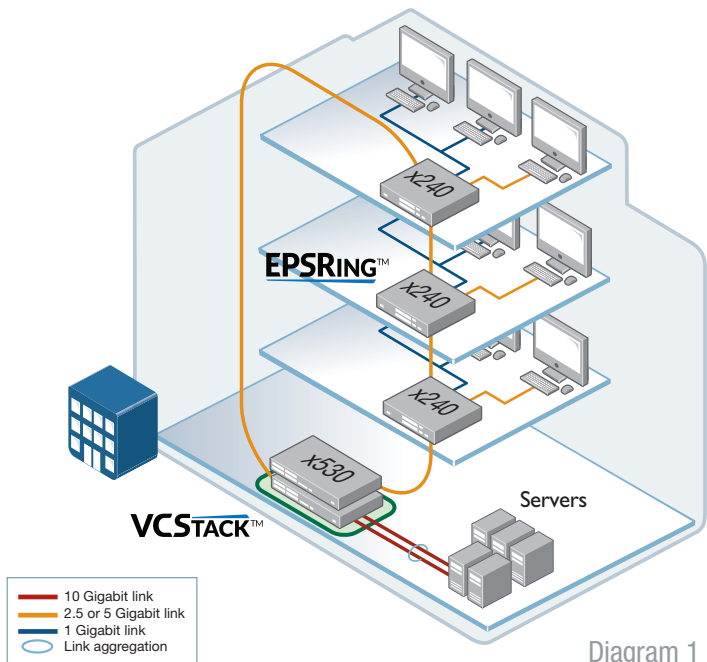


Diagram 1

### Flexible connectivity and easy management

The Power over Ethernet x240 models supply up to 90W (PoE++) per port, along with 2.5/5G multi-gigabit speeds. This enables connecting and powering high-speed Wi-Fi 6 APs that remove bottlenecks and maximize performance for the many wireless devices used today, as well as easily converging high-power devices, such as 4K PTZ security cameras, on the network.

AMF Plus provides an easy yet powerful solution for centralized administration and network automation. All x240 switches are automatically backed-up to the AMF Plus master, so device replacement is fully zero-touch and carried out with plug-and-play simplicity.

Vista Manager is Allied Telesis powerful monitoring and management platform providing easy visual network administration, the ability to configure multiple devices at once, and actionable reporting for proactive management. Vista Manager and AMF Plus combine to reduce the time and cost of network management.

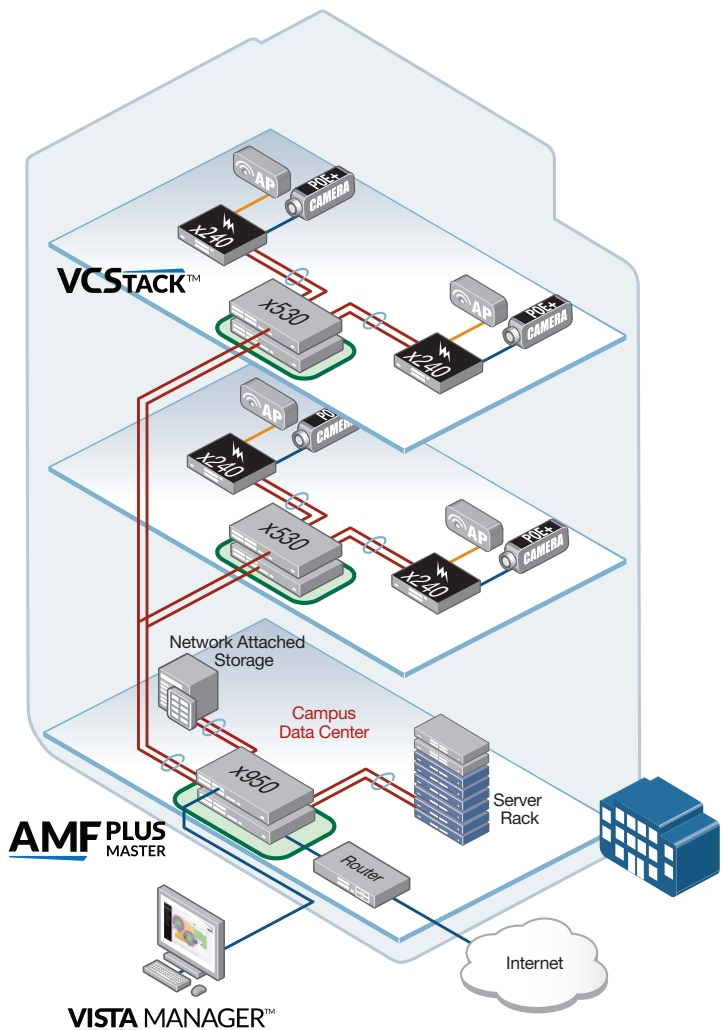


Diagram 2

Product Specifications

PRODUCT	10M/100M/1/2.5/5 GIGABIT PORTS	1/10 GIGABIT SFP+ PORTS	TOTAL PORTS	POE ENABLE PORTS	SWITCHING FABRIC	FORWARDING RATE
x240-10GHXm	8	2	10	8	120Gbps	89.3Mpps
x240-10GTxm	8	2	10	-	120Gbps	89.3Mpps
x240-18GHXm <sup>2</sup>	16	2	18	16	200Gbps	148.8Mpps
x240-18GTxm <sup>2</sup>	16	2	18	-	200Gbps	148.8Mpps
x240-26GHXm <sup>3</sup>	24	2	26	24	280Gbps	208.3Mpps
x240-26GTxm <sup>3</sup>	24	2	26	-	280Gbps	208.3Mpps

Physical specifications

PRODUCT	WIDTH X DEPTH X HEIGHT	WEIGHT	PACKAGED DIMENSIONS	WEIGHT
x240-10GHXm	210 x 346 x 42.5 mm (8.27 x 13.62 x 1.67 in)	2.7 kg (5.9 lb)	461 x 371 x 153 mm (18.15 x 14.60 x 6.02 in)	3.8 kg (8.3 lb)
x240-10GTxm	210 x 275 x 42.5 mm (8.27 x 10.83 x 1.67 in)	1.9 kg (4.2 lb)	433 x 257 x 102 mm (17.44 x 10.12 x 4.01 in)	2.6 kg (5.7 lb)
x240-18GHXm <sup>2</sup>	341 x 231 x 44 mm (13.42 x 9.09 x 1.73 in)	-	-	-
x240-18GTxm <sup>2</sup>	341 x 231 x 44 mm (13.42 x 9.09 x 1.73 in)	-	-	-
x240-26GHXm <sup>3</sup>	440 x 290 x 44 mm (17.32 x 11.42 x 1.73 in)	4.3 kg (9.4 lb)	547 x 364 x 115 mm (21.53 x 14.33 x 4.53 in)	5.6 kg (12.3 lb)
x240-26GTxm <sup>3</sup>	440 x 290 x 44 mm (17.32 x 11.42 x 1.73 in)	3.7 kg (8.1 lb)	547 x 364 x 115 mm (21.53 x 14.33 x 4.53 in)	5.0 kg (11.0 lb)

- ▶ NETCONF/RESTCONF northbound interface with YANG data modelling
- ▶ Eco-friendly mode allows ports and LEDs to be disabled to save power
- ▶ Web-based Graphical User Interface (GUI)
- ▶ Industry-standard CLI with context-sensitive help
- ▶ Powerful CLI scripting engine with built-in text editor
- ▶ A USB socket allows software releases, configuration, and other files to be stored for backup and distribution to other devices
- ▶ Comprehensive SNMP MIB support for standards-based device management
- ▶ Management stacking allows up to 24 devices to be managed from a single console
- ▶ Voice VLAN
- ▶ Event-based triggers allow user-defined scripts to be executed upon selected system events

Latency (microseconds)

PRODUCT	LATENCY (MICROSECONDS)			
	1GBPS	2.5GBPS	5GBPS	10GBPS
x240-10GHXm	5.6	8.7	6.1	2.9
x240-10GTxm	4.5	8.7	5.9	2.9
x240-18GHXm <sup>2</sup>	-	-	-	-
x240-18GTxm <sup>2</sup>	-	-	-	-
x240-26GHXm <sup>3</sup>	4.5	8.6	6.0	3.0
x240-26GTxm <sup>3</sup>	4.4	8.6	5.9	2.9

<sup>2</sup> 18-port models available in the future  
<sup>3</sup> 26-port models available in the future

Quality of Service (QoS)

- ▶ 8 priority queues with a hierarchy of high priority queues for real time traffic, and mixed scheduling, for each switch port
- ▶ Limit bandwidth per port or per traffic class down to 64kbps
- ▶ Wirespeed traffic classification with low latency essential for VoIP and real-time streaming media applications
- ▶ Policy-based QoS based on VLAN, port, MAC and general packet classifiers
- ▶ Policy-based storm protection
- ▶ Extensive remarking capabilities
- ▶ Taildrop for queue congestion control
- ▶ Strict priority, weighted round robin or mixed scheduling
- ▶ IP precedence and DiffServ marking based on layer 2, 3 and 4 headers

Resiliency Features

- ▶ Control Plane Prioritization (CPP) ensures the CPU always has sufficient bandwidth to process network control traffic
- ▶ Dynamic link failover (host attach)
- ▶ EPSRing (Ethernet Protection Switched Rings) with enhanced recovery for extra resiliency
- ▶ Loop protection: loop detection and thrash limiting
- ▶ PVST+ compatibility mode
- ▶ Ethernet Ring Protection Switching (ITU-T G.8032 ERPS)
- ▶ Continuous Power over Ethernet (CPOE)
- ▶ RRP snooping
- ▶ STP root guard

Security Features

- ▶ Access Control Lists (ACLs) based on layer 3 and 4 headers, per VLAN or port
- ▶ Configurable ACLs for management traffic

Performance

- ▶ Up to 32K MAC addresses
- ▶ Up to 100 multicast entries
- ▶ 1GB DDR4 SDRAM
- ▶ 4094 configurable VLANs
- ▶ 256MB flash memory
- ▶ Packet Buffer memory: 3MB
- ▶ Supports 9KB L2 jumbo frames
- ▶ Wirespeed forwarding

- ▶ Find-me device locator
- ▶ Cable fault locator (TDR)
- ▶ Connectivity Fault Management (CFM) for use with G.8032 ERPS
- ▶ Link Monitoring
- ▶ Optical Digital Diagnostics Monitoring (DDM)
- ▶ Automatic link flap detection and port shutdown
- ▶ Ping polling for IPv4 and IPv6
- ▶ Port and VLAN mirroring (RSPAN)
- ▶ Uni-Directional Link Detection (UDLD)
- ▶ TraceRoute for IPv4 and IPv6

Reliability

- ▶ Modular AlliedWare Plus operating system
- ▶ Full environmental monitoring of PSU internal temperature and internal voltages. SNMP traps alert network managers in case of any failure

IP Features

- ▶ IPv4 static routing and RIP
- ▶ IPv4 and IPv6 dual stack
- ▶ Device management over IPv6 networks with SNMPv6, Telnetv6, SSHv6 and Syslogv6
- ▶ DHCP client for IPv4 and IPv6

Flexibility and compatibility

- ▶ 10G SFP+ ports will support any combination of Allied Telesis 1000Mbps SFP and 10GbE SFP+ modules and direct attach cables listed in this document under Ordering Information
- ▶ Port speed can be set manually or by auto-negotiation

Management

- ▶ Allied Telesis Autonomous Management Framework Plus (AMF Plus) enables powerful centralized management and zero-touch device installation and recovery
- ▶ Console management port on the front panel for ease of access

Diagnostic tools

- ▶ Active Fiber Monitoring detects tampering on optical links
- ▶ Built-In Self Test (BIST)

## x240 Series | Multi-Gigabit Edge Switches

- ▶ Dynamic ACLs assigned via port authentication
- ▶ ACL Groups enable multiple hosts/ports to be included in a single ACL, reducing configuration
- ▶ Auth-fail and guest VLANs
- ▶ RADIUS and TACACS+ Authentication, Authorization and Accounting (AAA)
- ▶ Bootloader can be password protected for device security
- ▶ BPDU protection
- ▶ DHCP snooping, IP source guard and Dynamic ARP Inspection (DAI)
- ▶ Local RADIUS server for user and device authentication
- ▶ Dynamic VLAN assignment
- ▶ MAC address filtering and MAC address lock-down
- ▶ Network Access and Control (NAC) features manage endpoint security
- ▶ Learn limits (intrusion detection) for single ports or LAGs
- ▶ Secure Copy (SCP)
- ▶ Strong password security and encryption

- ▶ Tri-authentication: MAC-based, web-based and IEEE 802.1x
- ▶ Secure File Transfer Protocol (SFTP) client
- ▶ Local RADIUS server for user and device authentication
- ▶ RADIUS group selection per VLAN or port
- ▶ SFTP client

### VLAN Support

- ▶ Voice VLAN
- ▶ Private VLANs provide security and port isolation for multiple customers using the same VLAN
- ▶ VLAN ID translation

### Environmental specifications

- ▶ Operating temperature range:  
0°C to 50°C (32°F to 122°F)  
Derated by 1°C per 305 meters (1,000 ft)
- ▶ Storage temperature range:  
-25°C to 70°C (-13°F to 158°F)
- ▶ Operating relative humidity range:  
5% to 90% non-condensing

- ▶ Storage relative humidity range:  
5% to 95% non-condensing
- ▶ Operating altitude:  
2,000 meters maximum (6,562 ft)

### Electrical Approvals and Compliances

- ▶ EMC: EN55032 class A, FCC class A, VCCI class A, ICES-003 class A
- ▶ Immunity: EN55035, EN61000-3-levels 2 (Harmonics), and 3 (Flicker) – AC models only

### Safety

- ▶ Standards: UL62368-1, CAN/CSA-C22.2 No.62368-1, EN62368-1, EN60825-1, AS/NZS62368.1
- ▶ Certification: UL, cUL

### Restrictions on Hazardous Substances (RoHS) Compliance

- ▶ EU RoHS compliant
- ▶ China RoHS compliant

### Power characteristics

PRODUCT	NO POE LOAD			FULL POE+ LOAD			MAX POE POWER (W)	POE SOURCING PORTS					
	MAX POWER CONSUMPTION (W)	MAX HEAT DISSIPATION (BTU/H)	NOISE* (DBA)	MAX POWER CONSUMPTION (W)	MAX HEAT DISSIPATION (BTU/H)	NOISE* (DBA)		POE (7.5W)	POE (15.4W)	POE + (30W)	POE ++ (45W)	POE ++ (60W)	POE ++ (90W)
x240-10GHXm	44	150	32-39	340	1200	39-55	240	8	8	8	5	4	2
x240-10GTxm	38	130	32-39	-	-	-	-	-	-	-	-	-	-
x240-18GHXm <sup>2</sup>	-	-	-	-	-	-	247	16	16	8	5	4	2
x240-18GTxm <sup>2</sup>	-	-	-	-	-	-	-	-	-	-	-	-	-
x240-26GHXm <sup>3</sup>	86	290	38-52	540	1900	41-58	370	24	24	12	8	6	4
x240-26GTxm <sup>3</sup>	83	280	38-45	-	-	-	-	-	-	-	-	-	-

<sup>2</sup> 18-port models available in the future

<sup>3</sup> 26-port models available in the future

\* NOISE Under 30°C to 50°C

## Standards and Protocols

### AlliedWare Plus Operating System

Version 5.5.4

### Cryptographic Algorithms

#### FIPS Approved Algorithms

Encryption (Block Ciphers):

- ▶ AES (ECB, CBC, CFB and OFB Modes)
- ▶ 3DES (ECB, CBC, CFB and OFB Modes)

Block Cipher Modes:

- ▶ CCM
- ▶ CMAC
- ▶ GCM
- ▶ XTS

Digital Signatures & Asymmetric Key Generation:

- ▶ DSA
- ▶ ECDSA
- ▶ RSA

Secure Hashing:

- ▶ SHA-1
- ▶ SHA-2 (SHA-224, SHA-256, SHA-384, SHA-512)

Message Authentication:

- ▶ HMAC (SHA-1, SHA-2(224, 256, 384, 512))

Random Number Generation:

- ▶ DRBG (Hash, HMAC and Counter)

### Non FIPS Approved Algorithms

RNG (AES128/192/256)

DES

MD5

### Ethernet

IEEE 802.2 Logical Link Control (LLC)

IEEE 802.3 Ethernet

IEEE 802.3ab 1000BASE-T

IEEE 802.3ae 10 Gigabit Ethernet

IEEE 802.3af Power over Ethernet (PoE)

IEEE 802.3at Power over Ethernet up to 30W (PoE+)

IEEE 802.3az Energy Efficient Ethernet (EEE)

IEEE 802.3bt Power over Ethernet up to 90W (PoE++)

IEEE 802.3bz 2.5GBASE-T and 5GBASE-T ("multi-gigabit")

IEEE 802.3u 100BASE-X

IEEE 802.3x Flow control - full-duplex operation

IEEE 802.3z 100BASE-X

### IPv4 Features

RFC 768 User Datagram Protocol (UDP)

RFC 791 Internet Protocol (IP)

RFC 792 Internet Control Message Protocol (ICMP)

RFC 793 Transmission Control Protocol (TCP)

RFC 826 Address Resolution Protocol (ARP)

RFC 894 Standard for the transmission of IP datagrams over Ethernet networks

RFC 919 Broadcasting Internet datagrams

RFC 922 Broadcasting Internet datagrams in the presence of subnets

RFC 932 Subnetwork addressing scheme

RFC 950 Internet standard subnetting procedure

RFC 1042 Standard for the transmission of IP datagrams over IEEE 802 networks

RFC 1071 Computing the Internet checksum

RFC 1122 Internet host requirements

RFC 1191 Path MTU discovery

RFC 1518 An architecture for IP address allocation with CIDR

RFC 1519 Classless Inter-Domain Routing (CIDR)

RFC 1812 Requirements for IPv4 routers

RFC 1918 IP addressing

RFC 2581 TCP congestion control

### IPv6 Features

RFC 1981 Path MTU discovery for IPv6

RFC 2460 IPv6 specification

RFC 2464 Transmission of IPv6 packets over Ethernet networks

RFC 2711 IPv6 router alert option

RFC 3484 Default address selection for IPv6

RFC 3587 IPv6 global unicast address format

RFC 3596 DNS extensions to support IPv6

RFC 4007 IPv6 scoped address architecture

RFC 4193 Unique local IPv6 unicast addresses

RFC 4213 Transition mechanisms for IPv6 hosts and routers

RFC 4291 IPv6 addressing architecture

RFC 4443 Internet Control Message Protocol (ICMPv6)

RFC 4861 Neighbor discovery for IPv6

RFC 4862 IPv6 Stateless Address Auto-Configuration (SLAAC)

RFC 5014 IPv6 socket API for source address selection

RFC 5095 Deprecation of type 0 routing headers in IPv6

## Management

AT Enterprise MIB including AMF Plus MIB and SNMP traps  
Optical DDM MIB  
SNMPv1, v2c and v3  
ANSI/TIA-1057 LLDP-Media Endpoint Detection  
IEEE 802.1ABLink Layer Discovery Protocol (LLDP)  
RFC 1155 Structure and identification of management information for TCP/IP-based Internets  
RFC 1157 Simple Network Management Protocol (SNMP)  
RFC 1212 Concise MIB definitions  
RFC 1213 MIB for network management of TCP/IP-based Internets: MIB-II  
RFC 1215 Convention for defining traps for use with the SNMP  
RFC 1227 SNMP MUX protocol and MIB  
RFC 1239 Standard MIB  
RFC 1724 RIPv2 MIB extension  
RFC 2578 Structure of Management Information v2 (SMIv2)  
RFC 2579 Textual conventions for SMIv2  
RFC 2580 Conformance statements for SMIv2  
RFC 2674 Definitions of managed objects for bridges with traffic classes, multicast filtering and VLAN extensions  
RFC 2741 Agent extensibility (AgentX) protocol  
RFC 2819 RMON MIB (groups 1,2,3 and 9)  
RFC 2863 Interfaces group MIB  
RFC 3176 sFlow: a method for monitoring traffic in switched and routed networks  
RFC 3411 An architecture for describing SNMP management frameworks  
RFC 3412 Message processing and dispatching for the SNMP  
RFC 3413 SNMP applications  
RFC 3414 User-based Security Model (USM) for SNMPv3  
RFC 3415 View-based Access Control Model (VACM) for SNMP  
RFC 3416 Version 2 of the protocol operations for the SNMP  
RFC 3417 Transport mappings for the SNMP  
RFC 3418 MIB for SNMP  
RFC 3621 Power over Ethernet (PoE) MIB  
RFC 3635 Definitions of managed objects for the Ethernet-like interface types  
RFC 3636 IEEE 802.3 MAU MIB  
RFC 4022 MIB for the Transmission Control Protocol (TCP)  
RFC 4113 MIB for the User Datagram Protocol (UDP)  
RFC 4188 Definitions of managed objects for bridges  
RFC 4292 IP forwarding table MIB  
RFC 4293 MIB for the Internet Protocol (IP)  
RFC 4318 Definitions of managed objects for bridges with RSTP

RFC 4560 Definitions of managed objects for remote ping, traceroute and lookup operations  
RFC 5424 Syslog protocol

## Multicast support

IGMP query solicitation  
IGMP snooping (IGMPv1, v2 and v3)  
IGMP snooping fast-leave  
MLD snooping (MLDv1 and v2)  
RFC 2715 Interoperability rules for multicast routing protocols  
RFC 3306 Unicast-prefix-based IPv6 multicast addresses  
RFC 4541 IGMP and MLD snooping switches

## Quality of Service (QoS)

IEEE 802.1p Priority tagging  
RFC 2211 Specification of the controlled-load network element service  
RFC 2474 DiffServ precedence for eight queues/port  
RFC 2475 DiffServ architecture  
RFC 2597 DiffServ Assured Forwarding (AF)  
RFC 2697 A single-rate three-color marker  
RFC 2698 A two-rate three-color marker  
RFC 3246 DiffServ Expedited Forwarding (EF)

## Resiliency Features

ITU-T G.8032 Ethernet Ring Protection Switching (ERPS)  
IEEE 802.1ag Connectivity Fault Management (CFM), Continuity Check Protocol (CCP)  
IEEE 802.1AXLink aggregation (static and LACP)  
IEEE 802.1D MAC bridges  
IEEE 802.1s Multiple Spanning Tree Protocol (MSTP)  
IEEE 802.1w Rapid Spanning Tree Protocol (RSTP)  
IEEE 802.3adStatic and dynamic link aggregation

## Routing Information Protocol (RIP)

RFC 1058 Routing Information Protocol (RIP)  
RFC 2082 RIP-2 MD5 authentication  
RFC 2453 RIPv2

## Security Features

SSH remote login  
SSLv2 and SSLv3  
IEEE 802.1X Authentication protocols (TLS, TTLS, PEAP and MD5)  
IEEE 802.1X Multi-suplicant authentication  
IEEE 802.1X Port-based network access control  
RFC 2560 X.509 Online Certificate Status Protocol (OCSP)  
RFC 2818 HTTP over TLS ("HTTPS")  
RFC 2865 RADIUS authentication  
RFC 2866 RADIUS accounting  
RFC 2868 RADIUS attributes for tunnel protocol support

RFC 2986 PKCS #10: certification request syntax specification v1.7  
RFC 3546 Transport Layer Security (TLS) extensions  
RFC 3579 RADIUS support for Extensible Authentication Protocol (EAP)  
RFC 3580 IEEE 802.1x RADIUS usage guidelines  
RFC 3748 PPP Extensible Authentication Protocol (EAP)  
RFC 4251 Secure Shell (SSHv2) protocol architecture  
RFC 4252 Secure Shell (SSHv2) authentication protocol  
RFC 4253 Secure Shell (SSHv2) transport layer protocol  
RFC 4254 Secure Shell (SSHv2) connection protocol  
RFC 5176 Transport Layer Security (TLS) v1.2  
RFC 5246 X.509 certificate and Certificate Revocation List (CRL) profile  
RFC 5280 Transport Layer Security (TLS) transport mapping for Syslog  
RFC 5425 Elliptic curve algorithm integration for SSH  
RFC 5656 Domain-based application service identity within PKI using X.509 certificates with TLS  
RFC 6125 Transport Layer Security (TLS) encryption for RADIUS  
RFC 6614 SHA-2 data integrity verification for SSH  
RFC 6668

## Services

RFC 854 Telnet protocol specification  
RFC 855 Telnet option specifications  
RFC 857 Telnet echo option  
RFC 858 Telnet suppress go ahead option  
RFC 1091 Telnet terminal-type option  
RFC 1350 Trivial File Transfer Protocol (TFTP)  
RFC 1985 SMTP service extension  
RFC 2049 MIME  
RFC 2131 DHCPv4 client  
RFC 2616 Hypertext Transfer Protocol - HTTP/1.1  
RFC 2821 Simple Mail Transfer Protocol (SMTP)  
RFC 2822 Internet message format  
RFC 3046 DHCP relay agent information option (DHCP option 82)  
RFC 3315 DHCPv6 client  
RFC 3396 Encoding long options in DHCPv4  
RFC 3646 DNS configuration options for DHCPv6  
RFC 3993 Subscriber-ID suboption for DHCP relay agent option  
RFC 4330 Simple Network Time Protocol (SNTP) version 4  
RFC 4954 SMTP service extension for authentication  
RFC 5905 Network Time Protocol (NTP) version 4

## VLAN support

IEEE 802.1ad Provider bridges (VLAN stacking, Q-in-Q)  
IEEE 802.1Q Virtual LAN (VLAN) bridges  
IEEE 802.1v VLAN classification by protocol and port  
IEEE 802.3acVLAN tagging

## Feature Licenses

NAME	DESCRIPTION	INCLUDES
AT-FL-x240-APP	VLAN Q-in-Q and PTP license	<ul style="list-style-type: none"> <li>▶ VLAN Q-in-Q</li> <li>▶ PTP Transparent Mode<sup>1</sup></li> <li>▶ VLAN translation</li> </ul>
AT-FL-x240-OF13-1YR	OpenFlow license	<ul style="list-style-type: none"> <li>▶ OpenFlow v1.3 for 1 year</li> </ul>
AT-FL-x240-OF13-5YR	OpenFlow license	<ul style="list-style-type: none"> <li>▶ OpenFlow v1.3 for 5 years</li> </ul>

<sup>1</sup> Supported in a future release

## x240 Series | Multi-Gigabit Edge Switches

### Ordering Information

#### AT-x240-10GTXm

8-port 10M/100M/1/2.5/5G L3 switch with 2 SFP+ ports

#### AT-x240-10GHXm

8-port 10M/100M/1/2.5/5G PoE++ L3 switch with 2 SFP+ ports

#### AT-x240-18GTXm<sup>2</sup>

16-port 10M/100M/1/2.5/5G L3 switch with 2 SFP+ ports

#### AT-x240-18GHXm<sup>2</sup>

16-port 10M/100M/1/2.5/5G PoE++ L3 switch with 2 SFP+ ports

#### AT-x240-26GTXm<sup>3</sup>

24-port 10M/100M/1/2.5/5G L3 switch with 2 SFP+ ports

#### AT-x240-26GHXm<sup>3</sup>

24-port 10M/100M/1/2.5/5G PoE++ L3 switch with 2 SFP+ ports

#### AT-RKMT-J13

Rack mount kit for x240-18GTXm/18GHXm

#### AT-RKMT-J14

Rack mount kit for x240-10GTXm/10GHXm

#### AT-RKMT-J15

Rack mount tray for x240-10GTXm/10GHXm

#### AT-BRKT-J24

Wall mount bracket

#### AT-STND-J03

Stand-kit for x240-10GTXm/10GHXm/18GTXm/18GHXm

<sup>2</sup> 18-port models available in the future

<sup>3</sup> 26-port models available in the future

### 10G SFP+ Modules

Any 10G SFP+ module or cable can be used for stacking with the front panel 10G ports

#### AT-SP10SR

10GSR 850 nm short-haul, 300 m with MMF

#### AT-SP10SR/I

10GSR 850 nm short-haul, 300 m with MMF industrial temperature

#### AT-SP10LRa/I

10GLR 1310 nm medium-haul, 10 km with SMF industrial temperature

#### AT-SP10ZR80/I

10GER 1550 nm long-haul, 80 km with SMF industrial temperature

#### AT-SP10TM

1G/10G, 100m copper, TAA<sup>4</sup>

#### AT-SP10BD10/I-12

10 GbE Bi-Di (1270 nm Tx, 1330 nm Rx) fiber up to 10 km industrial temperature, TAA<sup>4</sup>

#### AT-SP10BD10/I-13

10 GbE Bi-Di (1330 nm Tx, 1270 nm Rx) fiber up to 10 km industrial temperature, TAA<sup>4</sup>

#### AT-SP10BD20-12

10 GbE Bi-Di (1270 nm Tx, 1330 nm Rx) fiber up to 20 km, TAA<sup>4</sup>

#### AT-SP10BD20-13

10 GbE Bi-Di (1330 nm Tx, 1270 nm Rx) fiber up to 20 km, TAA<sup>4</sup>

#### AT-SP10BD40/I-12

10 GbE Bi-Di (1270 nm Tx, 1330 nm Rx) fiber up to 40 km industrial temperature, TAA<sup>4</sup>

#### AT-SP10BD40/I-13

10 GbE Bi-Di (1330 nm Tx, 1270 nm Rx) fiber up to 40 km industrial temperature, TAA<sup>4</sup>

#### AT-SP10BD80/I-14

10 GbE Bi-Di (1270 nm Tx, 1330 nm Rx) fiber up to 80 km industrial temperature, TAA<sup>4</sup>

#### AT-SP10BD80/I-15

10 GbE Bi-Di (1330 nm Tx, 1270 nm Rx) fiber up to 80 km industrial temperature, TAA<sup>4</sup>

#### AT-SP10TW1

1 meter SFP+ direct attach cable

#### AT-SP10TW3

3 meter SFP+ direct attach cable

### 1G SFP Modules

#### AT-SPTXc

100 m, 10/100/1000T SFP, RJ-45

#### AT-SPSX

1000SX GbE multi-mode 850 nm fiber up to 550 m

#### AT-SPEX

1000X GbE multi-mode 1310 nm fiber up to 2 km

#### AT-SPSX/I

1000SX GbE multi-mode 850 nm fiber up to 550 m industrial temperature

#### AT-SPLX10

1000LX GbE single-mode 1310 nm fiber up to 10 km

#### AT-SPLX10a

1000LX SFP, LC, SMF, 1310nm (10km), TAA<sup>2</sup>

#### AT-SPLX10/I

1000LX GbE single-mode 1310 nm fiber up to 10 km, industrial temperature

#### AT-SPLX40

1000LX GbE single-mode 1310 nm fiber up to 40 km

#### AT-SPBD10-13

1000LX (LC) GbE Bi-Di (1310 nm Tx, 1490 nm Rx) fiber up to 10 km

#### AT-SPBD10-14

1000LX (LC) GbE Bi-Di (1490 nm Tx, 1310 nm Rx) fiber up to 10 km

#### AT-SPBD20-13/I

1000LX (LC) GbE single-mode Bi-Di (1310 nm Tx, 1490 nm Rx) fiber up to 20 km, industrial temperature

#### AT-SPBD20-14/I

1000LX (LC) GbE single-mode Bi-Di (1490 nm Tx, 1310 nm Rx) fiber up to 20 km, industrial temperature

#### AT-SPBD40-13/I

1000LX (LC) GbE single-mode Bi-Di (1310 nm Tx, 1490 nm Rx) fiber up to 40 km, industrial temperature

#### AT-SPBD40-14/I

1000LX (LC) GbE single-mode Bi-Di (1490 nm Tx, 1310 nm Rx) fiber up to 40 km, industrial temperature

<sup>4</sup> Trade Agreement Act compliant